

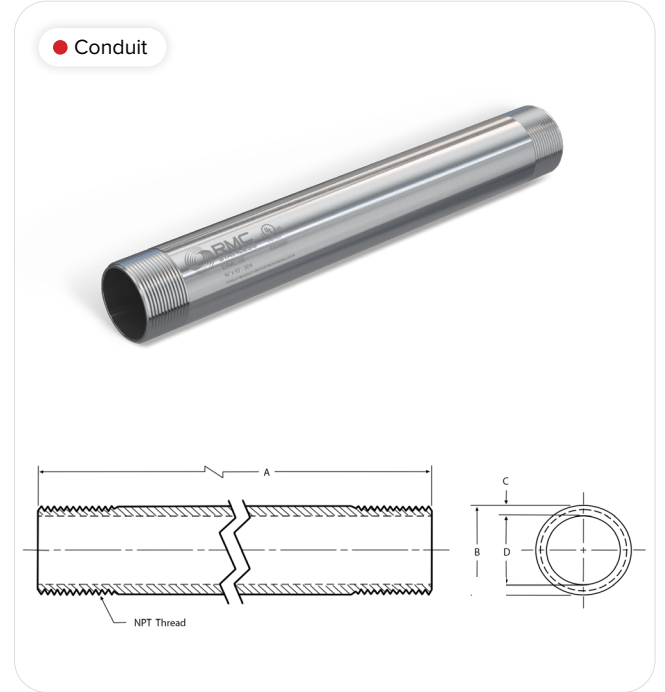
# Stainless Steel Rigid Conduit

## Features and Benefits

- RMC's stainless steel rigid conduit is manufactured in alloy grade 304 and 316
- RMC's Stainless steel rigid conduit features a hygienic polished finish, delivering an exceptional aesthetic appearance and a consistent surface. This finish enhances cleanability and significantly reduces the risk of microbial bacteria accumulation
- Among metallic electrical raceway options, stainless steel offers the highest corrosion resistance, along with exceptional strength and temperature performance.
- RMC offers stainless rigid conduit in grades 304 and 316, with 316 providing better corrosion resistance in chloride, sulfide and marine environments due to its slightly higher nickel content and the addition of molybdenum
- Both 304 and 316 stainless steel offer excellent strength and temperature performance, with 316 providing slightly higher heat tolerance, up to 1550°F.
- Each length of RMC stainless steel conduit is provided with one threaded UL coupling.

## Applications

- RMC 316 stainless steel features a hygienic polished finish that delivers outstanding protection in challenging environments, including marine areas, chemical processing facilities, and food processing plants where rigorous chemical washdowns are essential.
- RMC's stainless rigid conduit significantly reduces the need for maintenance and replacement of conduit and fittings in corrosive environments and demanding applications.



## Certifications

- UL/cUL 6A Listed
- UL File # E531581
- CSA C22.1:21
- NEC Article 344

Part Number 304L	Part Number 316L	Trade Sizes (Inches)	Trade Size (mm)	Outside Diameter Inches (B)	Outside Diameter mm (B)	Inside Diameter Inches (D)	Inside Diameter, MM (D)	Length w/o Coupling (inches) +/- 6 (A)	Length w/o Coupling (mm) +/- 6 (A)	Weight per conduit length w/ coupling (lbs)	Threads per inch
SR4CT05	SR6CT05	1/2"	16	0.840	21.34	0.622	15.80	9-11 1/4"	3030	8	14
SR4CT07	SR6CT07	3/4"	21	1.050	26.67	0.824	20.93	9-11 1/4"	3030	11	14
SR4CT10	SR6CT10	1"	27	1.315	33.40	1.049	26.64	9-11"	3025	16	11-1/2
SR4CT12	SR6CT12	1-1/4"	35	1.660	42.16	1.38	35.05	9-11"	3025	21	11-1/2
SR4CT15	SR6CT15	1-1/2"	41	1.900	48.26	1.61	40.89	9-11"	3025	25	11-1/2
SR4CT20	SR6CT20	2"	53	2.375	60.33	2.067	52.502	9-11"	3025	34	11-1/2

