

Stainless Steel Three Piece Coupling

Features and Benefits

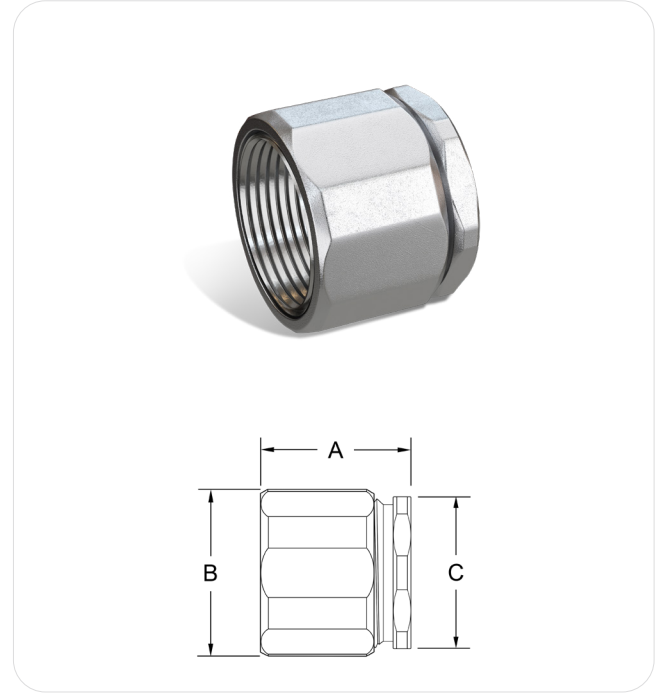
- RMC's stainless steel three piece couplings are manufactured in 316 stainless steel.
- RMC's stainless steel three-piece couplings feature a hygienic polished finish, offering an exceptional aesthetic appearance and a consistent surface texture. This design enhances cleanability and significantly reduces the risk of microbial bacteria accumulation.
- Among metallic electrical raceway options, 316 stainless steel offers the highest corrosion resistance, along with exceptional strength and temperature performance.

Applications

- RMC stainless steel three piece couplings are developed to connect two pieces of stainless steel rigid threaded conduit where neither length of conduit can be turned to tighten.
- RMC 316 stainless steel features a hygienic polished finish that delivers outstanding protection in challenging environments, including marine areas, chemical processing facilities, and food processing plants where rigorous chemical washdowns are essential. It offers superior corrosion resistance, minimizing the need for frequent maintenance and replacement.

Certifications

- UL/cUL 514B Listed
- UL File # E543350
- CSA C22.2 NO 18.3



| Part Number | Trade Size | A | B | C |
|-------------|------------|-------|-------|-------|
| SR63PC05 | 1/2" | 1.102 | 1.26 | 1.181 |
| SR63PC07 | 3/4" | 1.122 | 1.449 | 1.26 |
| SR63PC10 | 1" | 1.37 | 1.728 | 1.571 |
| SR63PC12 | 1-1/4" | 1.909 | 2.283 | 2.118 |
| SR63PC15 | 1-1/2" | 1.929 | 2.126 | 2.244 |
| SR63PC20 | 2" | 2.48 | 3.110 | 2.913 |