

Stainless Steel X Conduit Body

Features and Benefits

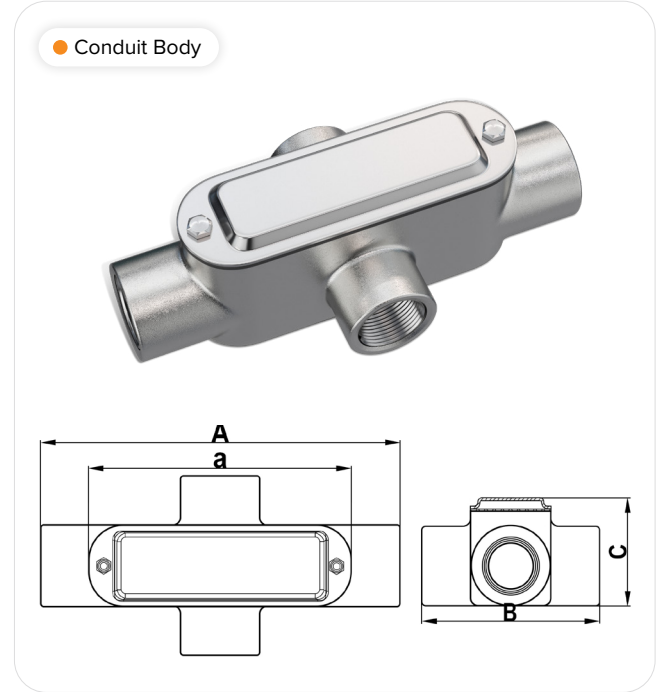
- RMC's stainless steel conduit bodies are investment cast in 316 stainless steel.
- Investment casting enables significantly improved dimensional tolerances and surface finishes while maximizing the internal cavity space for increased wiring capacity.
- RMC's conduit bodies have a hygienic polished finish, offering an exceptional aesthetic appearance and a consistent surface texture. This design enhances cleanability and significantly reduces the risk of microbial bacteria accumulation.
- RMC provides stainless steel conduit bodies in grade 316, known for its exceptional corrosion resistance, strength, and temperature performance.
- All RMC stainless steel conduit bodies meet Form 8 requirements and feature laser markings to minimize surface marring.
- Each conduit body is shipped complete with covers and neoprene gaskets, certified for wet locations. Additionally, the covers are secured with hex head bolts, reducing crevices that could potentially harbor microbial bacteria.

Applications

- RMC's stainless steel conduit bodies are developed to provide a solution when the conductors in an electrical raceway system require a change in direction or other connection requirements
- RMC's 316 stainless steel features a hygienic polished finish that delivers outstanding protection in challenging environments, including marine areas, chemical processing facilities, and food processing plants where rigorous chemical washdowns are essential. It offers superior corrosion resistance, minimizing the need for frequent maintenance and replacement.

Certifications

- UL/cUL 514A Listed
- UL File #E542725
- CSA C22.2 NO 18.1
- NEC Article 314



Trade Size	Part Number	Wt. (lbs)	Cubic In.	A	B	C	a
1/2"	SR6X05	1.48	7"	5.974"	2.974"	2.008"	4.323"
3/4"	SR6X07	2.09	11"	6.791"	3.400"	2.303"	4.941"
1"	SR6X10	3.07	15"	7.815"	3.876"	2.335"	5.689"
1-1/2"	SR6X15	5.36	42"	10.020"	4.735"	3.051"	7.815"
2"	SR6X20	10.26	96"	12.543"	5.940"	3.819"	10.063"