

Stainless Steel Rigid Coupling

Features and Benefits

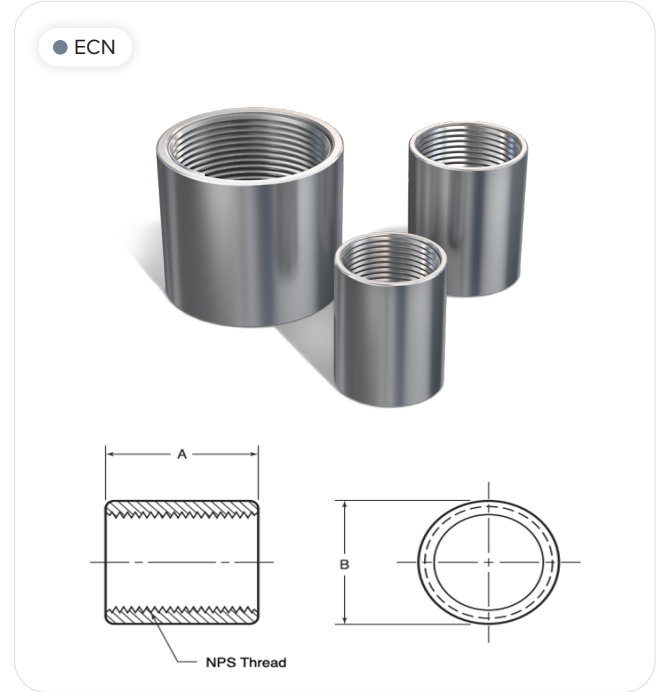
- RMC's stainless steel rigid couplings are manufactured in alloy grade 304 and 316.
- RMC's stainless steel couplings feature a hygienic polished finish, offering an exceptional aesthetic appearance and a consistent surface texture. This design enhances cleanability and significantly reduces the risk of microbial bacteria accumulation.
- Among metallic electrical raceway options, stainless steel offers the highest corrosion resistance, along with exceptional strength and temperature performance.
- RMC offers stainless rigid couplings in both 304 and 316 grades, with 316 providing superior corrosion resistance in chloride, sulfide, and marine environments due to its higher nickel content and the inclusion of molybdenum.
- Both 304 and 316 stainless steel offer excellent strength and temperature performance, with 316 providing slightly higher heat tolerance, up to 1550°F.
- Each length of RMC stainless steel conduit is supplied with one straight threaded (NPS) UL-listed coupling.

Applications

- RMC's stainless steel rigid couplings are designed for use with RMC stainless steel conduit or other threaded connections in electrical raceway applications.
- RMC's stainless steel rigid couplings excel in demanding environments such as marine areas, chemical processing facilities, and food processing plants requiring rigorous chemical washdowns. These couplings provide superior corrosion resistance, reducing the need for frequent maintenance and replacement.

Certifications

- UL6A
- UL File #E542725
- CSA C22.2 NO 18.1
- NEC Article 314



Part Number	Part Number	Trade size in.	Trade size mm	Inside Diameter, in.	Inside Diameter, mm	Outside Diameter, in. (B)	Outside Diameter mm (B)	Length of Coupling (in.) (A)	Length of Coupling (mm) (A)	Weight per Coupling (LB)
SR4CP05	SR6CP05	1/2"	16	0.840	21.34	1.08	27.43	1.66	42.16	0.2
SR4CP07	SR6CP07	3/4"	21	1.050	26.67	1.33	33.78	1.67	42.42	0.28
SR4CP10	SR6CP10	1"	27	1.315	33.40	1.56	39.62	2.00	50.8	0.37
SR4CP12	SR6CP12	1-1/4"	35	1.660	42.16	1.95	49.53	2.06	52.32	0.56
SR4CP15	SR6CP15	1-1/2"	41	1.900	48.26	2.22	56.39	2.09	53.09	0.71
SR4CP20	SR6CP20	2"	53	2.375	60.33	2.75	69.850	2.16	54.86	1.05
SR4CP25	SR6CP25	2-1/2"	63	2.875	73.03	3.25	83.82	3.22	81.79	2.13
SR4CP30	SR6CP30	3"	78	3.5	88.9	3.9	99.06	3.33	84.58	2.42
SR4CP40	SR6CP40	4"	103	4.5	114.3	5	127	3.55	90.17	4.2

