

# Stainless Steel LT 90° Connector

## Features and Benefits

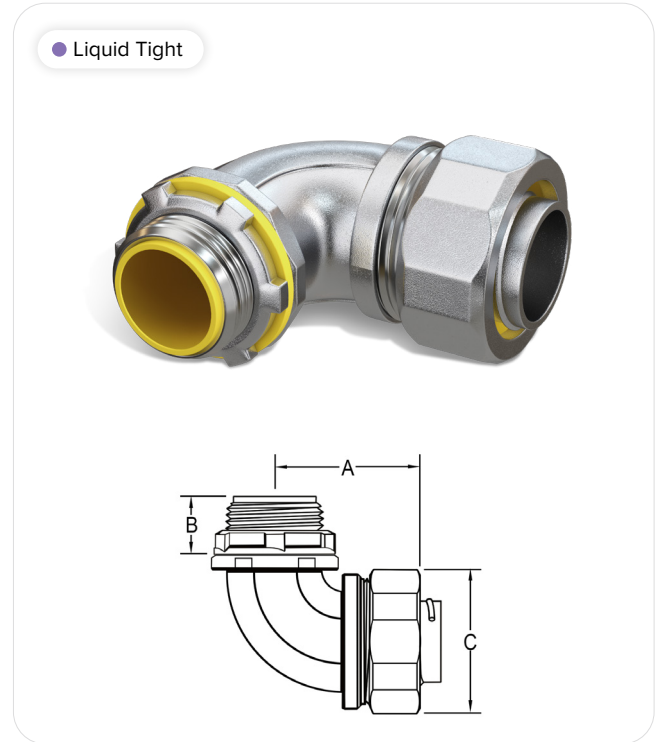
- RMC's stainless steel liquid tight fittings are crafted from grade 316 alloy, offering superior corrosion resistance, exceptional strength, and outstanding performance in temperature environments.
- RMC's liquid tight fittings feature a hygienic polished finish, offering an exceptional aesthetic appearance and a consistent surface texture. This design enhances cleanability and significantly reduces the risk of microbial bacteria accumulation.
- RMC's 316 investment cast liquid-tight fittings are engineered with precise dimensional tolerances, ensuring reliable sealing to prevent the ingress of environmental elements such as oils, dirt, dust, and liquids.
- Gland nut sealing ring and throat insulator are produced in polypropylene.
- Sealing gasket is produced in polyethylene.
- Liquid tight fittings are offered in straight, 45° and 90° configurations.

## Applications

- RMC's stainless steel liquid-tight fittings are designed to securely connect RMC stainless steel flexible conduit to a threadless opening in an electrical box or enclosure.
- RMC's liquid tight fittings excel in demanding environments such as marine areas, chemical processing facilities, and food processing plants requiring rigorous chemical washdowns. These couplings provide superior corrosion resistance, reducing the need for frequent maintenance and replacement.

## Certifications

- UL/cUL 514B Listed
- UL File # E509375
- CSA C22.2 No 18F
- NEC Class 1, Division 2; Class II, Division 1 & 2 and Class III, Division 1 and 2
- NEMA FB-1
- RoHS Compliant
- Fed. Spec. W-F-408E



Part Number	Trade Size (mm)	A	B	C
SR6FLXM9005	1/2"	1.712	0.571	1.280
SR6FLXM9007	3/4"	1.927	0.630	1.561
SR6FLXM9010	1"	2.047	0.827	1.811
SR6FLXM9012	1 1/4"	2.303	0.830	2.278
SR6FLXM9015	1 1/2"	2.480	0.849	2.547
SR6FLXM9020	2"	2.815	0.911	3.094

